

# Robit<sup>®</sup>

## ROCKTOOLS

***MORE HOLES - MORE VALUE!***



***PRODUCT  
CATALOGUE***



**Robit<sup>®</sup>**  
**ROCKTOOLS**

**ROBIT ROCKTOOLS LTD**

**Vikkiniityntie 9  
FIN-33880 LEMPÄÄLÄ  
(TAMPERE)  
FINLAND**

**Tel. +358 3 3140 3400**

**Fax +358 3 367 0540**

**E-mail: [robit@robit.fi](mailto:robit@robit.fi)**

**<http://www.robit.fi>**

**MORE HOLES - MORE VALUE!**

## **CONTENTS:**

### **ROBIT IN BRIEF**

### **ROCKTOOLS**

ROCKBIT DESIGNS AND PRODUCT CODES  
DRIFTING AND TUNNELLING  
REAMING EQUIPMENT  
BENCH AND PRODUCTION DRILLING

### **GROUND DRILLING TOOLS**

ROBIT<sup>®</sup> CASING SYSTEMS

### **INDEXING AND WEIGHT TABLES**

### **ROBIT MATERIAL**

### ROBIT ROCKTOOLS IN BRIEF



Robit bit production facilities in Tampere, Finland



Robit being established 1985 has long experience on drilling process and the latest development of rocktools. Robit exports its products worldwide to about 40 countries. Mining, quarrying and construction customers drive the company production and marketing strategy. All the major mining countries are well covered with local distributors. Top quality Scandinavian steel for its products, and proven homogenous tungsten carbide for its buttons, Robit lays the foundation for an exceptional standard of finished products.

### **Product lines:**

#### **Rocktools - Button bits**

Rocktools offering covers all construction, quarrying and mining drill&blast applications from soft to hardest rock conditions. Tunnelling is one of the most important customer segments for Robit bits and applications like drifting, cuthole and bolthole drilling are well covered. Also major mining and quarrying customers have approved Robit quality worldwide.



### **Ground Drilling Tools**

Robit ground drilling tools offering covers following applications:

- Tube umbrella drilling
- Anchoring
- Piling
- Horizontal drilling
- Water and thermal well drilling
- Soil investigation/monitoring
- Underwater drilling

Robit® Casing Systems – products are the key components of the Ground Drilling Tools –product line. Rox drilling system is ideal for tube umbrella drilling which is a widely used method in Far East and Central Europe.

Robit has references from the key markets in the ground stabilisation.

### **Summary**

Robit's long experience and high competence base will help us to find innovative customer solutions for various applications. Co-operation with end users is a vital part of our operations resulting superior performance of Robit products. More holes – more value for the customer is the driving force of Robit Rocktools Ltd.

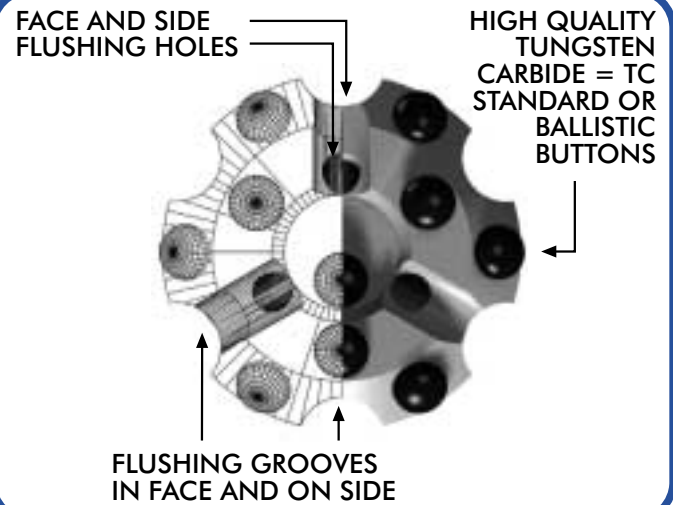
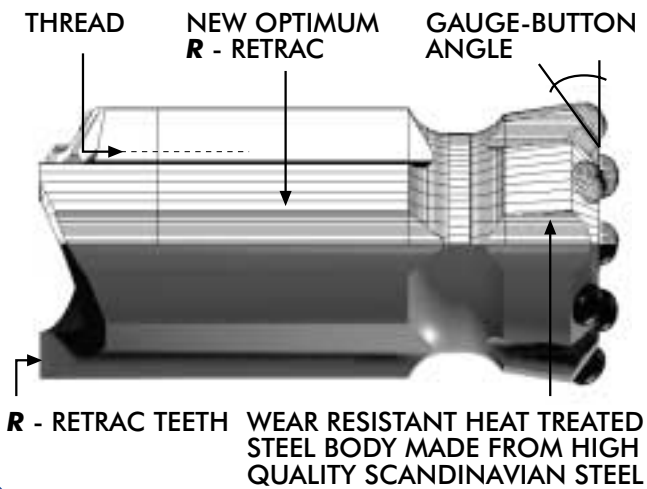




e.g. 38 C 64 D S R BALL

- BUTTON TYPE = BALLISTIC BUTTONS
- BODY TYPE = RETRAC
- ROCK TYPE = SOFT ROCK = S
- BIT MODEL = DROP CENTER
- BIT DIAMETER = 64 mm
- THREAD TYPE = C (CORRESPONDS T, F1, ETC.)
- THREAD SIZE = 1 1/2" (38 mm)

### ROCKTOOLS PRODUCT SPECIFICATION



### ROCKTOOLS STANDARD DIAMETERS



38 mm	1 1/2 inch	64 mm	2 1/2 inch
41 mm	1 5/8 inch	70 mm	2 3/4 inch
43 mm	1 11/16 inch	76 mm	3 inch
45 mm	1 3/4 inch	89 mm	3 1/2 inch
48 mm	1 7/8 inch	102 mm	4 inch
51 mm	2 inch	115 mm	4 1/2 inch
57 mm	2 1/4 inch	127 mm	5 inch
60 mm	2 1/3 inch		



# ROCKTOOLS BODIES

## NORMAL BODY



38C70A

## R - RETRAC



38C64DSR



# ROCKTOOLS FACES AND BUTTONS

HARD ROCK ← FACES/DRIFTING BITS → SOFT ROCK    HARD ROCK ← FACES/BENCH BITS → SOFT ROCK



B, BR



A, AR



S, SR



M

HIGHLY ABRASIVE ROCK  
↕  
NON ABRASIVE ROCK



B, BR



A, AR



D, DR



DS, DSR

## STANDARD BUTTON



## HEAVY DUTY BALLISTIC



### DRIFTING AND TUNNELLING

Bolting • Drifting • Reaming



HARD + ABRASIVE ROCK MODEL

B, BR



HARD ROCK MODEL

A, AR



ALL AROUND MODEL

S, SR



SOFT ROCK MODEL

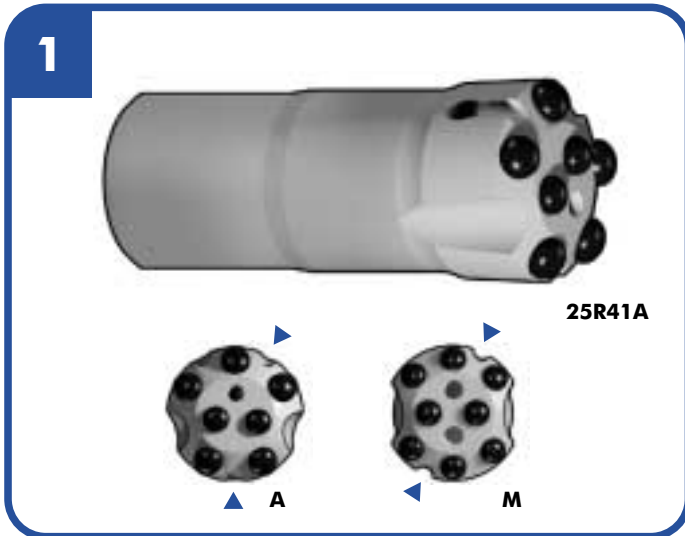
M







## DRIFTING AND TUNNELLING BUTTON BITS WITH R 25 mm, 1" -THREAD



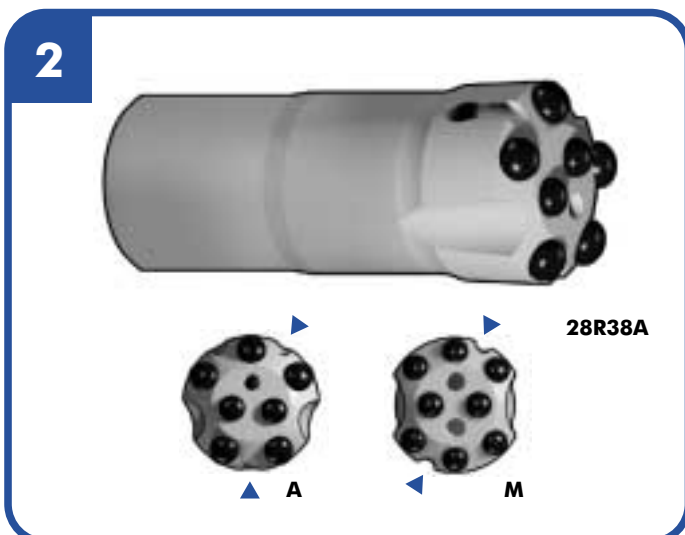
▲ = Location of flushing hole

DIAM +TYPE	BUTTONS CENTRE GAUGE	FLUSHING CENTRE GAUGE	GAUGE ANGLE	ORDER NUMBER
<b>37 mm                  NORMAL BODY</b>				
37A	2*7 5*8	1 2	30°	25R37A
<b>38 mm = 1½"                  NORMAL BODY</b>				
38A	2*8 5*9	1 2	30°	25R38A
38M	2*7 6*8	2 2	30°	25R38M
<b>41 mm = 1⅝"                  NORMAL BODY</b>				
41A	2*8 5*9	1 2	30°	25R41A

All models also available with ballistic buttons.



## DRIFTING AND TUNNELLING BUTTON BITS WITH R 28 mm, 1⅝" -THREAD



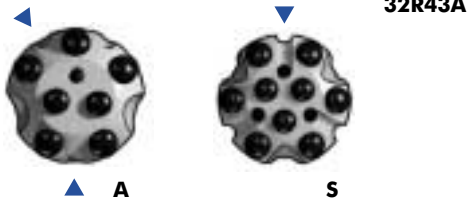
▲ = Location of flushing hole

DIAM +TYPE	BUTTONS CENTRE GAUGE	FLUSHING CENTRE GAUGE	GAUGE ANGLE	ORDER NUMBER
<b>38 mm = 1½"                  NORMAL BODY</b>				
38A	2*8 5*9	1 1	30°	28R38A
38M	2*7 6*8	2 2	30°	28R38M
<b>41 mm = 1⅝"                  NORMAL BODY</b>				
41A	2*8 5*9	1 2	30°	28R41A

All models also available with ballistic buttons.



3

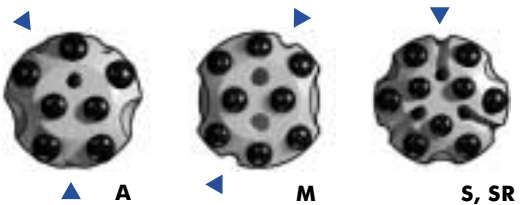


32R43A

A

S

4



32R45M

A

M

S, SR



32R48SR

▲ = Location of flushing hole

DIAM +TYPE	BUTTONS		FLUSHING		GAUGE ANGLE	ORDER NUMBER
	CENTRE	GAUGE	CENTRE	GAUGE		
<b>41 mm = 1 5/8" NORMAL BODY</b>						
41A	2*8	5*9	1	2	30°	32R41A
41S	3*8	6*8	3	1	30°	32R41S
<b>43 mm = 1 11/16" NORMAL BODY</b>						
43A	2*9	5*9	1	2	30°	32R43A
43S	3*8	6*9	3	1	30°	32R43S

DIAM +TYPE	BUTTONS		FLUSHING		GAUGE ANGLE	ORDER NUMBER
	CENTRE	GAUGE	CENTRE	GAUGE		
<b>45 mm = 1 3/4" NORMAL BODY</b>						
45A	2*8	5*11	1	2	30°	32R45A
45S	3*8	6*9	3	1	35°	32R45S
45S2	3*8	6*10	3	1	30°	32R45S2
45M	2*9	6*9	2	2	35°	32R45M
<b>45 mm = 1 3/4" RETRAC BODY</b>						
45SR	3*8	6*9	3	-	35°	32R45SR

DIAM +TYPE	BUTTONS		FLUSHING		GAUGE ANGLE	ORDER NUMBER
	CENTRE	GAUGE	CENTRE	GAUGE		
<b>48 mm = 1 7/8" NORMAL BODY</b>						
48A	2*9	5*11	1	2	30°	32R48A
48S	3*8	6*9	3	1	35°	32R48S
<b>48 mm = 1 7/8" RETRAC BODY</b>						
48SR	3*8	6*9	3	-	35°	32R48SR

All models also available with ballistic buttons.



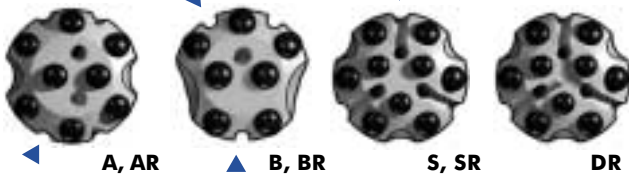
# DRIFTING AND TUNNELLING

## BUTTON BITS WITH R 32 mm, 1 1/4" -THREAD

5



32R51B



A, AR

B, BR

S, SR

DR

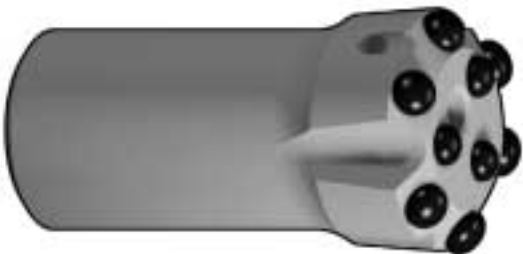


32R51SR

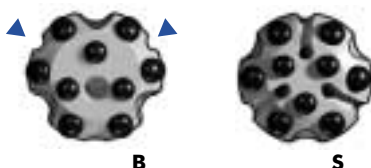
DIAM +TYPE	BUTTONS CENTRE GAUGE	FLUSHING CENTRE GAUGE	GAUGE ANGLE	ORDER NUMBER
<b>51 mm = 2" NORMAL BODY</b>				
51A	2*10 6*10	2 1	35°	32R51A
51B	2*11 5*11	1 2	30°	32R51B
51B2	2*10 5*12	1 2	30°	32R51B2
51S	3*9 6*10	3 1	35°	32R51S

DIAM +TYPE	BUTTONS CENTRE GAUGE	FLUSHING CENTRE GAUGE	GAUGE ANGLE	ORDER NUMBER
<b>51 mm = 2" RETRAC BODY</b>				
51AR	2*10 6*10	2 -	35°	32R51AR
51SR	3*9 6*10	3 -	35°	32R51SR
51DR	3*9 6*10	3 -	35°	32R51DR

6



32R57B



B

S

DIAM +TYPE	BUTTONS CENTRE GAUGE	FLUSHING CENTRE GAUGE	GAUGE ANGLE	ORDER NUMBER
<b>57 mm = 2 1/4" NORMAL BODY</b>				
57B	3*10 6*11	1 2	35°	32R57B
57S	3*10 6*10	3 1	35°	32R57S

▲ = Location of flushing hole

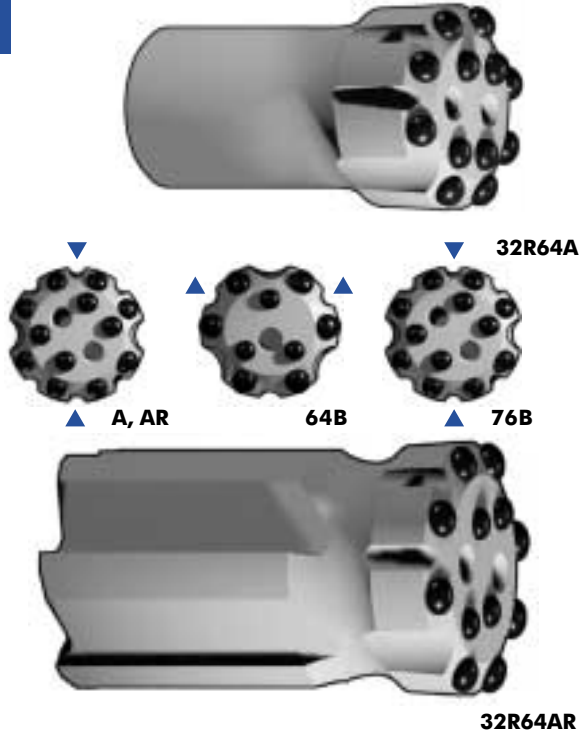
All models also available with ballistic buttons.

### DRIFTING AND TUNNELLING

#### BUTTON BITS WITH R 32 mm, 1 1/4" -THREAD



7



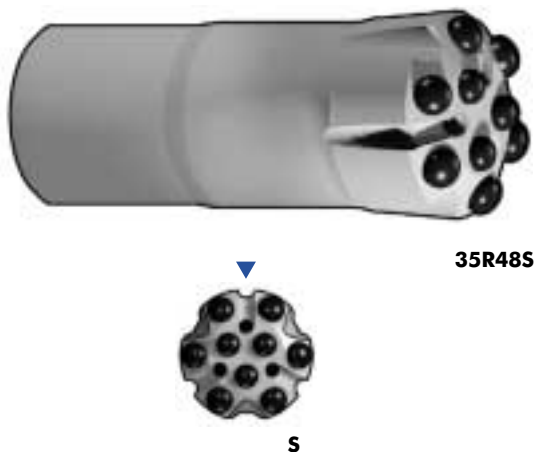
DIAM +TYPE	BUTTONS		FLUSHING		GAUGE ANGLE	ORDER NUMBER
	CENTRE	GAUGE	CENTRE	GAUGE		
<b>64 mm = 2 1/2" NORMAL BODY</b>						
64A	4*10	8*10	2	2	35°	32R64A
64B	3*10	6*12	1	2	35°	32R64B
<b>64 mm = 2 1/2" RETRAC BODY</b>						
64AR	4*10	8*10	2	2	35°	32R64AR
<b>76 mm = 3" NORMAL BODY</b>						
76B	4*11	8*11	2	2	35°	32R76B

### DRIFTING AND TUNNELLING

#### BUTTON BITS WITH R 35 mm, 1 3/8" -THREAD



8



DIAM +TYPE	BUTTONS		FLUSHING		GAUGE ANGLE	ORDER NUMBER
	CENTRE	GAUGE	CENTRE	GAUGE		
<b>48 mm = 1 7/8" NORMAL BODY</b>						
48S	3*8	6*9	3	1	35°	35R48S
<b>51 mm = 2" NORMAL BODY</b>						
51S	3*9	6*10	3	1	35°	35R51S

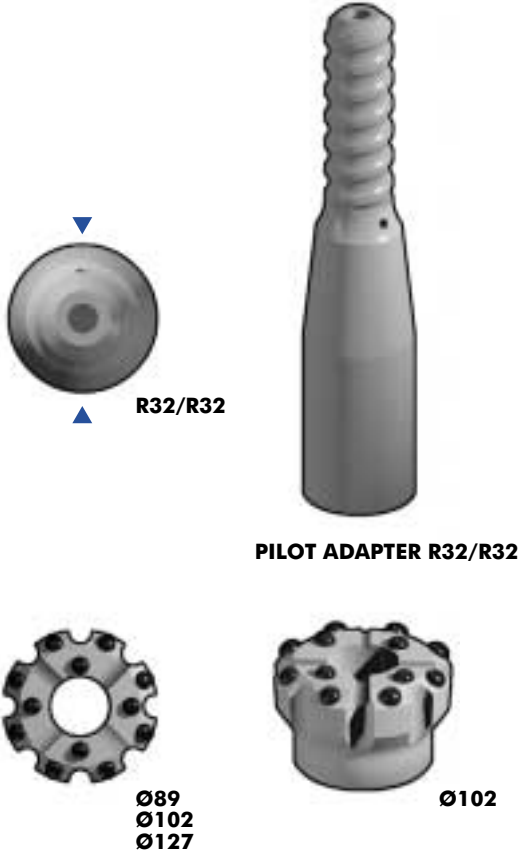
▲ = Location of flushing hole

All models also available with ballistic buttons.



# REAMING EQUIPMENT TAPER 12°

9



▲ = Location of flushing hole

DIAM +TYPE	BUTTONS		FLUSHING		GAUGE ANGLE	ORDER NUMBER
	CENTRE	GAUGE	CENTRE	GAUGE		
PILOT ADAPTER R28/R28			1	2		PILOT ADAPTER R28/R28
PILOT ADAPTER R32/R32			1	2		PILOT ADAPTER R32/R32
PILOT ADAPTER R35/R35			1	2		PILOT ADAPTER R35/R35
PILOT ADAPTER R38/R38			1	2		PILOT ADAPTER R38/R38
REAMING BITS						
Ø89	4*10	8*12	-	-		REAMER89
Ø102	4*12	8*12	-	-		REAMER102
Ø127	4*14	8*14	-	-		REAMER127

All models also available with ballistic buttons.

### BENCH AND PRODUCTION DRILLING

- Bench Drilling
- Long-hole Drilling
- Precision Drilling



B, BR



A, AR



D, DR



DS, DSR

HARD + ABRASIVE ROCK MODEL

HARD ROCK MODEL

DROP CENTER HARD ROCK MODEL

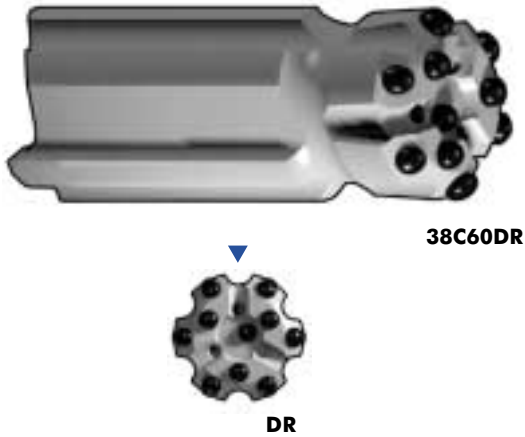
DROP CENTER SOFT ROCK MODEL





# BENCH AND PRODUCTION DRILLING BUTTON BITS WITH C 38 mm, 1 1/2" -THREAD

10

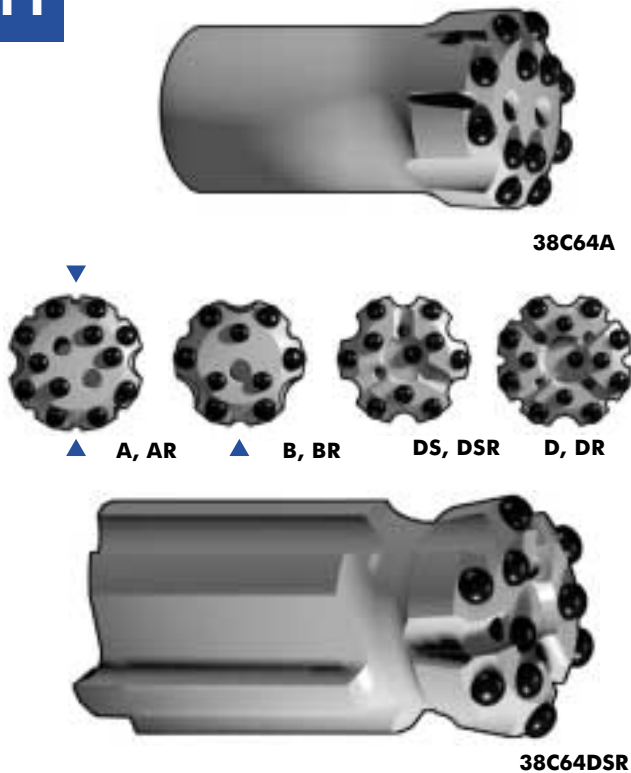


38C60DR

DR

DIAM +TYPE	BUTTONS CENTRE GAUGE	FLUSHING CENTRE GAUGE	GAUGE ANGLE	ORDER NUMBER
60 mm = 2 1/3"		RETRAC BODY		
60DR	3*10 6*10	3 -	35°	38C60DR

11



38C64A

A, AR

B, BR

DS, DSR

D, DR

38C64DSR

▲ = Location of flushing hole

DIAM +TYPE	BUTTONS CENTRE GAUGE	FLUSHING CENTRE GAUGE	GAUGE ANGLE	ORDER NUMBER
64 mm = 2 1/2"		NORMAL BODY		
64A	4*10 8*10	2 2	35°	38C64A
64B	3*10 6*12	1 2	35°	38C64B
64DS	4*10 6*10	3 -	35°	38C64DS
64D	5*9 8*10	4 -	35°	38C64D
64 mm = 2 1/2"		RETRAC BODY		
64AR	4*10 8*10	2 2	35°	38C64AR
64BR	3*10 6*12	1 2	35°	38C64BR
64DSR	4*10 6*10	3 -	35°	38C64DSR
64DR	5*9 8*10	4 -	35°	38C64DR

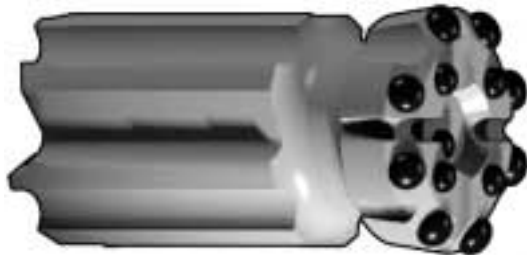
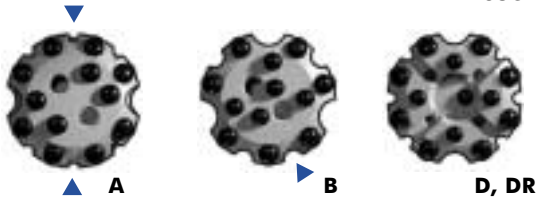
All models also available with ballistic buttons.



12



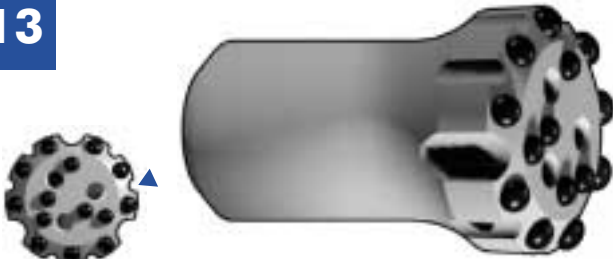
38C70A



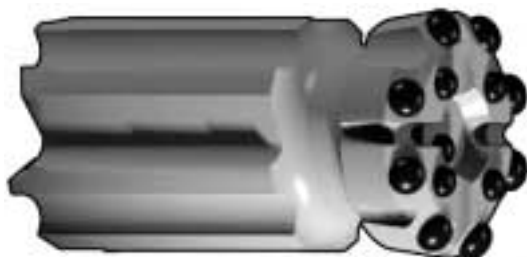
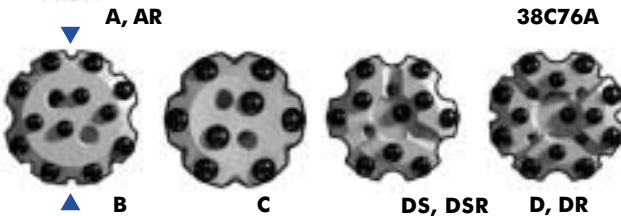
38C70DR

DIAM +TYPE	BUTTONS CENTRE GAUGE	FLUSHING CENTRE GAUGE	GAUGE ANGLE	ORDER NUMBER
<b>70 mm = 2¾"</b> <b>NORMAL BODY</b>				
70A	4*10 8*10	2 2	35°	38C70A
70B	5*10 7*11	2 1	35°	38C70B
70D	5*10 8*10	4 -	35°	38C70D
<b>70 mm = 2¾"</b> <b>RETRAC BODY</b>				
70DR	5*10 8*10	4 -	35°	38C70DR

13



38C76A



38C76DR

DIAM +TYPE	BUTTONS CENTRE GAUGE	FLUSHING CENTRE GAUGE	GAUGE ANGLE	ORDER NUMBER
<b>76 mm = 3"</b> <b>NORMAL BODY</b>				
76A	5*10 9*10	3 1	35°	38C76A
76B	4*11 8*11	2 2	35°	38C76B
76C	2*14 6*14	2 -	35°	38C76C
76DS	4*11 6*11	3 -	35°	38C76DS
76D	5*11 8*11	4 -	35°	38C76D
<b>76 mm = 3"</b> <b>RETRAC BODY</b>				
76AR	5*10 9*10	3 1	35°	38C76AR
76DSR	4*11 6*11	3 -	35°	38C76DSR
76DR	5*11 8*11	4 -	35°	38C76DR

▲ = Location of flushing hole

All models also available with ballistic buttons.



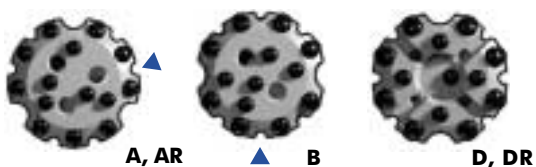


# BENCH AND PRODUCTION DRILLING BUTTON BITS WITH C 38 mm, 1 1/2" -THREAD

14



38C89A



A, AR

B

D, DR



38C76DR

DIAM +TYPE	BUTTONS CENTRE GAUGE	FLUSHING CENTRE GAUGE	GAUGE ANGLE	ORDER NUMBER
------------	----------------------	-----------------------	-------------	--------------

**89 mm = 3 1/2" NORMAL BODY**

89A	5*12 9*12	3 1	35°	38C89A
89B	5*12 8*14	2 1	35°	38C89B
89D	5*11 8*12	4 -	35°	38C89D

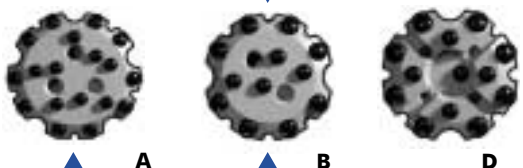
**89 mm = 3 1/2" RETRAC BODY**

89AR	5*12 9*12	3 1	35°	38C89AR
89DR	5*11 8*12	4 -	35°	38C89DR

15



38C102A



A

B

D

▲ = Location of flushing hole

DIAM +TYPE	BUTTONS CENTRE GAUGE	FLUSHING CENTRE GAUGE	GAUGE ANGLE	ORDER NUMBER
------------	----------------------	-----------------------	-------------	--------------

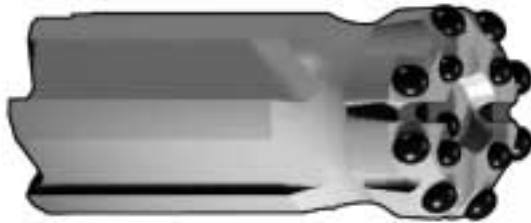
**102 mm = 4" NORMAL BODY**

102A	8*11 10*12	3 1	35°	38C102A
102B	4*14 8*14	2 2	35°	38C102B
102D	5*12 8*12	4 -	35°	38C102D

All models also available with ballistic buttons.



16



45C70DR



DR

DIAM +TYPE	BUTTONS		FLUSHING		GAUGE ANGLE	ORDER NUMBER
	CENTRE	GAUGE	CENTRE	GAUGE		
70 mm = 2 3/4"		RETRAC BODY				
70DR	5*10	8*10	4	-	35°	45C70DR

17



45C76B



A, AR



B, BR



C



DS, DSR



D, DR



45C76DSR

DIAM +TYPE	BUTTONS		FLUSHING		GAUGE ANGLE	ORDER NUMBER
	CENTRE	GAUGE	CENTRE	GAUGE		
76 mm = 3"		NORMAL BODY				
76A	5*10	9*10	3	1	35°	45C76A
76B	4*11	8*11	2	2	35°	45C76B
76C	2*14	6*14	2	-	35°	45C76C
76D	5*11	8*11	4	-	35°	45C76D
76DS	4*11	6*11	3	-	35°	45C76DS
76 mm = 3"		RETRAC BODY				
76AR	5*10	9*10	3	1	35°	45C76AR
76BR	4*11	8*11	2	2	35°	45C76BR
76DR	5*11	8*11	4	-	35°	45C76DR
76DSR	4*11	6*11	3	-	35°	45C76DSR

▲ = Location of flushing hole

All models also available with ballistic buttons.

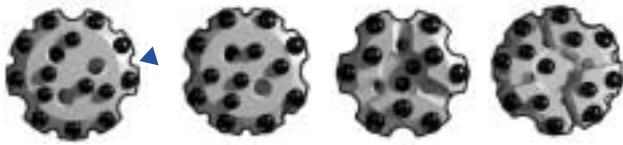


# BENCH AND PRODUCTION DRILLING BUTTON BITS WITH C 45 mm, 1 3/4" -THREAD

18



45C89A



A, AR

▲ B, BR

DS, DSR

D, DR



45C89DSR

19



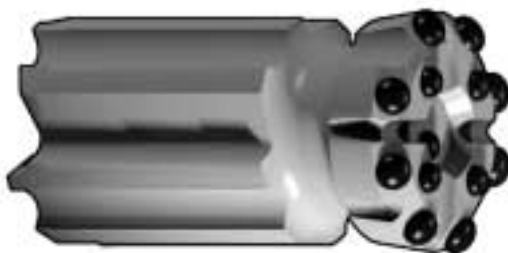
45C102A



▲ A, AR

▲ B, BR

D, DR



45C102DR

▲ = Location of flushing hole

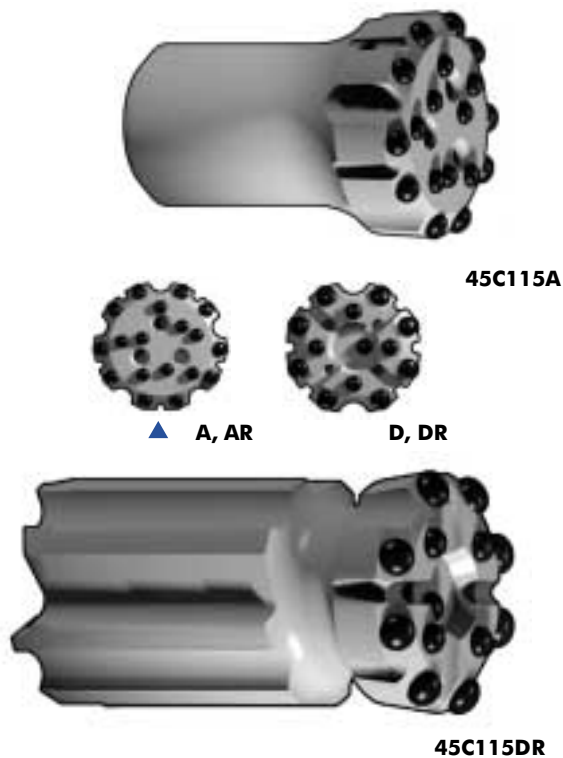
DIAM +TYPE	BUTTONS		FLUSHING		GAUGE ANGLE	ORDER NUMBER
	CENTRE	GAUGE	CENTRE	GAUGE		
<b>89 mm = 3 1/2" NORMAL BODY</b>						
89A	5*12	9*12	3	1	35°	45C89A
89B	5*12	8*14	2	1	35°	45C89B
89D	5*11	8*12	4	-	35°	45C89D
89DS	5*12	6*12	3	-	35°	45C89DS
<b>89 mm = 3 1/2" RETRAC BODY</b>						
89AR	5*12	9*12	3	1	35°	45C89AR
89BR	5*12	8*14	2	-	35°	45C89BR
89DR	5*11	8*12	4	-	35°	45C89DR
89DSR	5*12	6*12	3	-	35°	45C89DSR

DIAM +TYPE	BUTTONS		FLUSHING		GAUGE ANGLE	ORDER NUMBER
	CENTRE	GAUGE	CENTRE	GAUGE		
<b>102 mm = 4" NORMAL BODY</b>						
102A	8*11	10*12	3	1	35°	45C102A
102B	4*14	8*14	2	2	35°	45C102B
102D	5*12	8*12	4	-	35°	45C102D
<b>102 mm = 4" RETRAC BODY</b>						
102AR	8*11	10*12	3	1	35°	45C102AR
102BR	4*14	8*14	2	2	35°	45C102BR
102DR	5*12	8*12	4	-	35°	45C102DR

All models also available with ballistic buttons.



20



▲ = Location of flushing hole

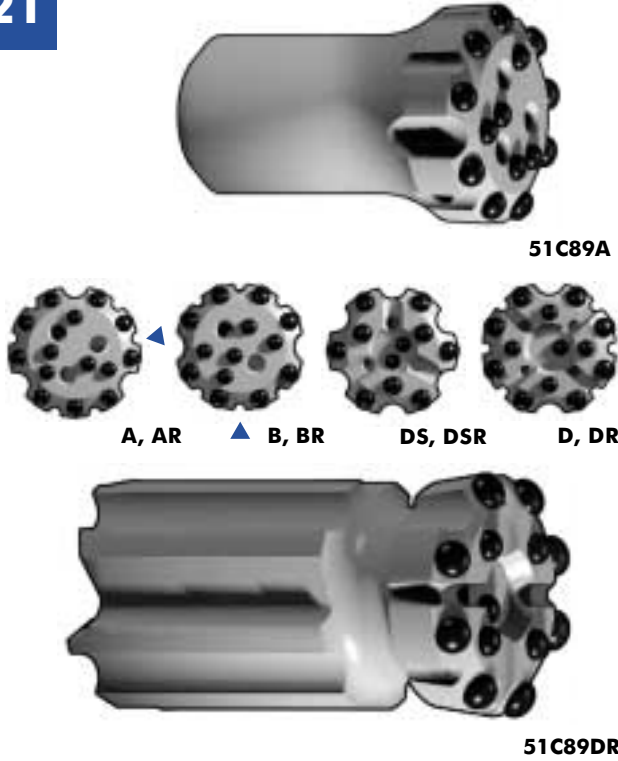
DIAM +TYPE	BUTTONS		FLUSHING		GAUGE ANGLE	ORDER NUMBER
	CENTRE	GAUGE	CENTRE	GAUGE		
<b>76 mm = 3"</b>		<b>NORMAL BODY</b>				
115A	8*14	10*14	3	1	35°	45C115A
115D	5*14	8*14	4	-	35°	45C115D
<b>115 mm = 4 1/2"</b>		<b>RETRAC BODY</b>				
115AR	8*14	10*14	3	1	35°	45C115AR
115DR	5*14	8*14	4	-	35°	45C115DR

All models also available with ballistic buttons.



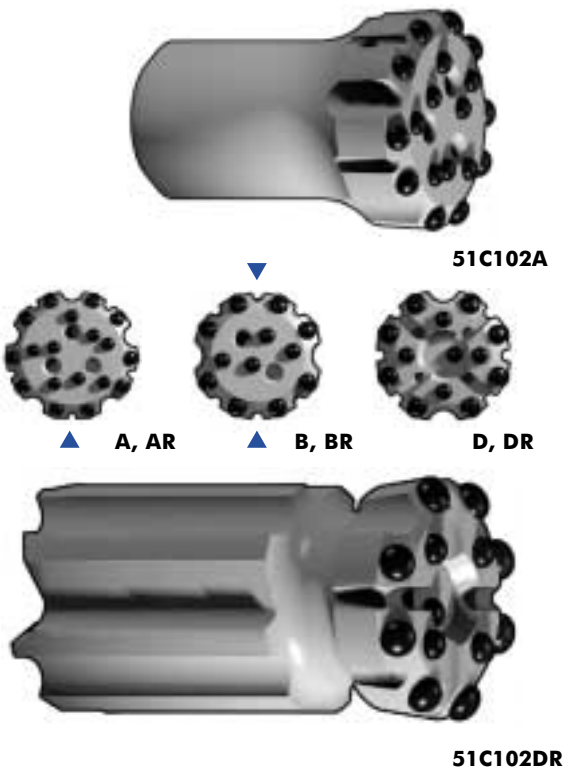
# BENCH AND PRODUCTION DRILLING BUTTON BITS WITH C 51 mm, 2" -THREAD

21



DIAM +TYPE	BUTTONS CENTRE GAUGE	FLUSHING CENTRE GAUGE	GAUGE ANGLE	ORDER NUMBER
<b>89 mm = 3½"</b> <b>NORMAL BODY</b>				
89A	5*12 9*12	3 1	35°	51C89A
89B	5*12 8*14	2 1	35°	51C89B
89D	5*11 8*12	4 -	35°	51C89D
89DS	5*12 6*12	3 -	35°	51C89DS
<b>89 mm = 3½"</b> <b>RETRAC BODY</b>				
89AR	5*12 9*12	3 1	35°	51C89AR
89BR	5*12 8*14	2 -	35°	51C89BR
89DR	5*11 8*12	4 -	35°	51C89DR
89DSR	5*12 6*12	3 -	35°	51C89DSR

22



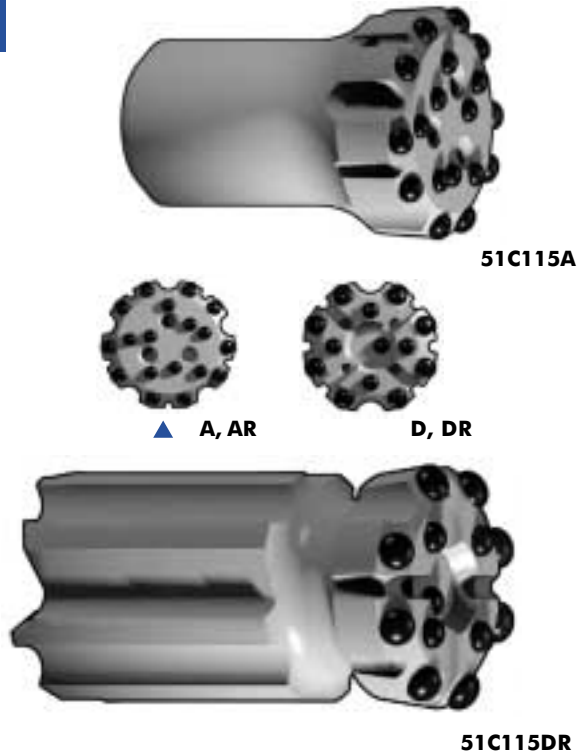
DIAM +TYPE	BUTTONS CENTRE GAUGE	FLUSHING CENTRE GAUGE	GAUGE ANGLE	ORDER NUMBER
<b>102 mm = 4"</b> <b>NORMAL BODY</b>				
102A	8*11 10*12	3 1	35°	51C102A
102B	4*14 8*14	2 2	35°	51C102B
102D	5*12 8*12	4 -	35°	51C102D
<b>102 mm = 4"</b> <b>RETRAC BODY</b>				
102AR	8*11 10*12	3 1	35°	51C102AR
102BR	4*14 8*14	2 2	35°	51C102BR
102DR	5*12 8*12	4 -	35°	51C102DR

▲ = Location of flushing hole

All models also available with ballistic buttons.

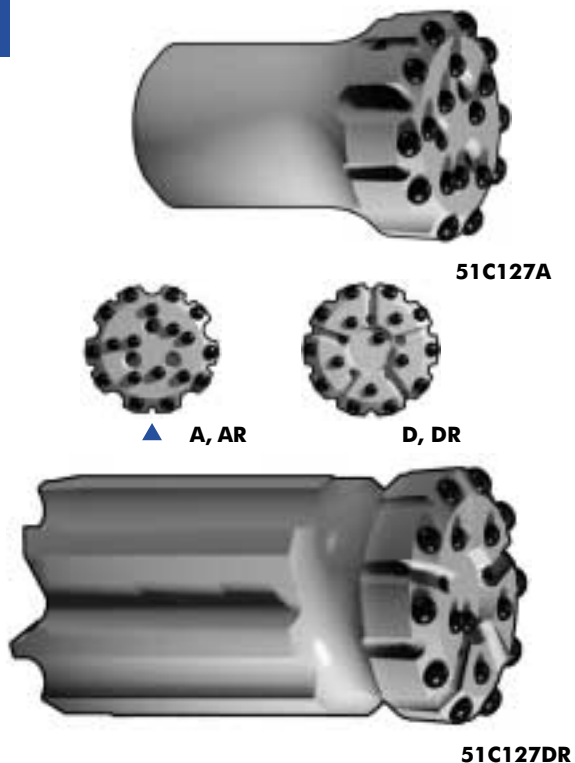


23



DIAM +TYPE	BUTTONS		FLUSHING		GAUGE ANGLE	ORDER NUMBER
	CENTRE	GAUGE	CENTRE	GAUGE		
<b>115 mm = 4½"</b> <b>NORMAL BODY</b>						
115A	8*14	10*14	3	1	35°	51C115A
115D	5*14	8*14	4	-	35°	51C115D
<b>115 mm = 4½"</b> <b>RETRAC BODY</b>						
115AR	8*14	10*14	3	1	35°	51C115AR
115DR	5*14	8*14	4	-	35°	51C115DR

24



DIAM +TYPE	BUTTONS		FLUSHING		GAUGE ANGLE	ORDER NUMBER
	CENTRE	GAUGE	CENTRE	GAUGE		
<b>127 mm = 5"</b> <b>NORMAL BODY</b>						
127A	8*14	10*14	3	1	35°	51C127A
127D	6*14	10*14	5	-	35°	51C127D
<b>127 mm = 5"</b> <b>RETRAC BODY</b>						
127AR	8*14	10*14	3	1	35°	51C127AR
127DR	6*14	10*14	5	-	35°	51C127DR

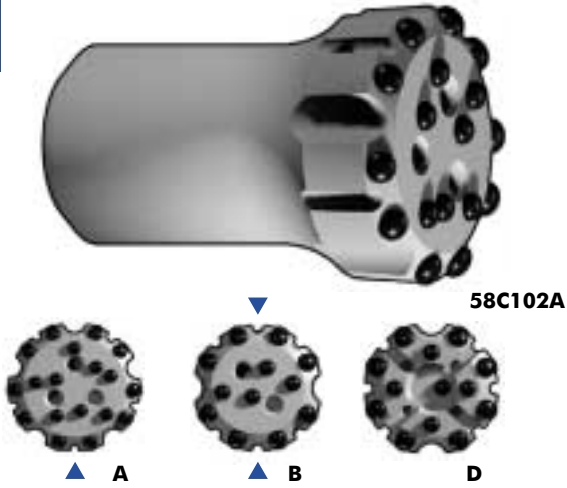
▲ = Location of flushing hole

All models also available with ballistic buttons.



# BENCH AND PRODUCTION DRILLING BUTTON BITS WITH C 58 mm -THREAD

25



58C102A

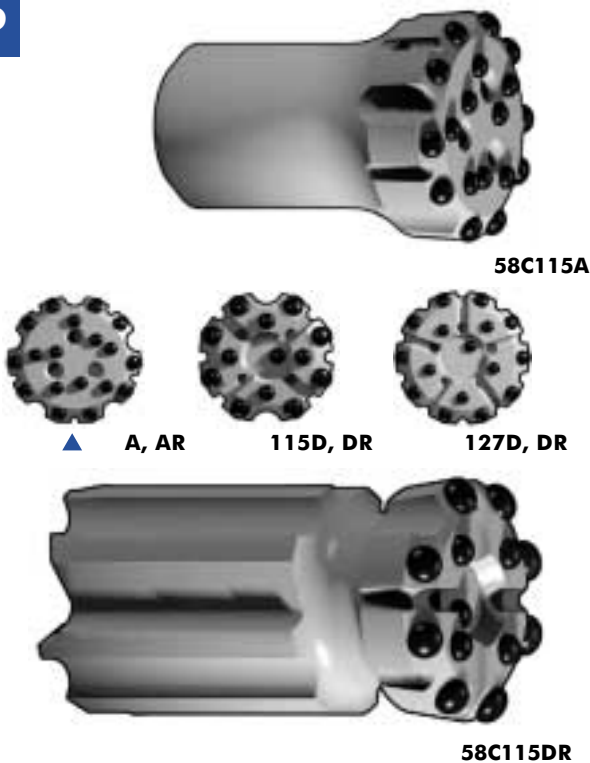
▲ A

▲ B

D

DIAM +TYPE	BUTTONS CENTRE GAUGE	FLUSHING CENTRE GAUGE	GAUGE ANGLE	ORDER NUMBER
<b>102 mm = 4" NORMAL BODY</b>				
102A	8*11 10*12	3 1	35°	58C102A
102B	4*14 8*14	2 2	35°	58C102B
102D	5*12 8*12	4 -	35°	58C102D

26



58C115A

▲ A, AR

115D, DR

127D, DR

58C115DR

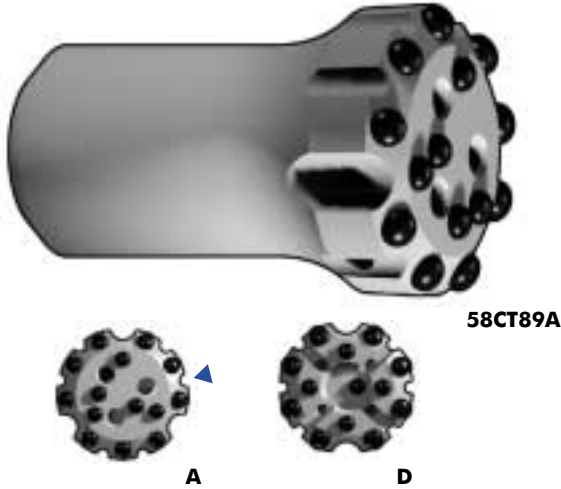
DIAM +TYPE	BUTTONS CENTRE GAUGE	FLUSHING CENTRE GAUGE	GAUGE ANGLE	ORDER NUMBER
<b>115 mm = 4½" NORMAL BODY</b>				
115A	8*14 10*14	3 1	35°	58C115A
115D	5*14 8*14	4 -	35°	58C115D
<b>115 mm = 4½" RETRAC BODY</b>				
115AR	8*14 10*14	3 1	35°	58C115AR
115DR	5*14 8*14	4 -	35°	58C115DR
<b>127 mm = 5" NORMAL BODY</b>				
127A	8*14 10*14	3 1	35°	58C127A
127D	6*14 10*14	5 -	35°	58C127D
<b>127 mm = 5" RETRAC BODY</b>				
127AR	8*14 10*14	3 1	35°	58C127AR
127DR	6*14 10*14	5 -	35°	58C127DR

▲ = Location of flushing hole

All models also available with ballistic buttons.

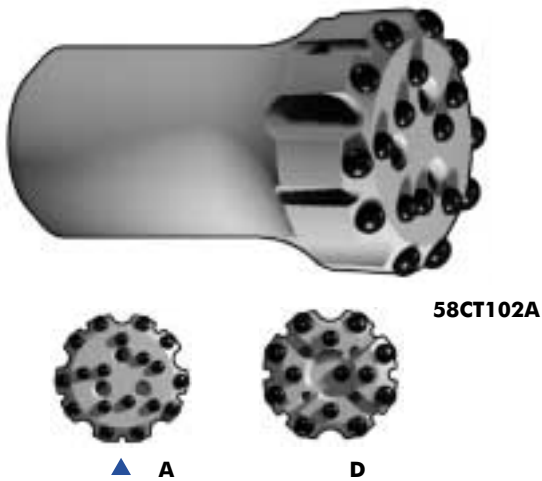


27



DIAM +TYPE	BUTTONS		FLUSHING		GAUGE ANGLE	ORDER NUMBER
	CENTRE	GAUGE	CENTRE	GAUGE		
<b>89 mm = 3 1/2"</b>						
<b>NORMAL BODY</b>						
89A	5*12	9*12	3	1	35°	58CT89A
89D	5*11	8*12	4	-	35°	58CT89D

28



DIAM +TYPE	BUTTONS		FLUSHING		GAUGE ANGLE	ORDER NUMBER
	CENTRE	GAUGE	CENTRE	GAUGE		
<b>102 mm = 4"</b>						
<b>NORMAL BODY</b>						
102A	8*11	10*12	3	1	35°	58CT102A
102D	5*14	8*14	4	-	35°	58CT102D

▲ = Location of flushing hole

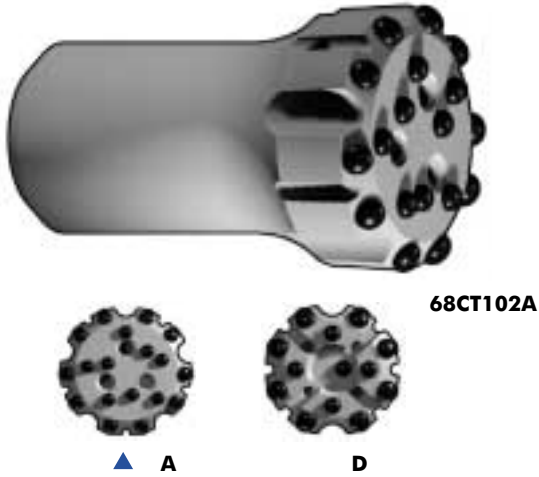
All models also available with ballistic buttons.





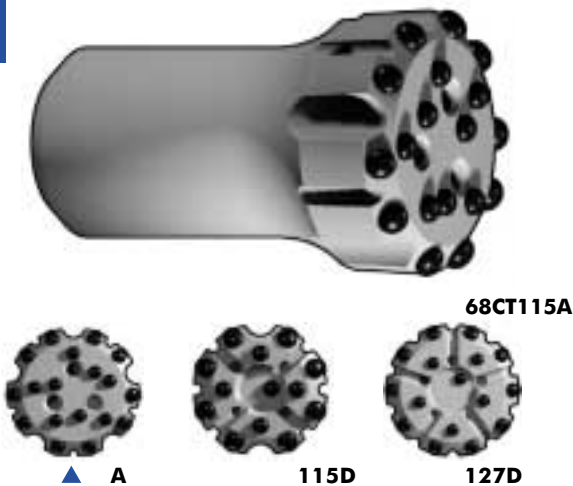
# BENCH AND PRODUCTION DRILLING BUTTON BITS WITH CT 68 mm -TUBE THREAD

29



DIAM +TYPE	BUTTONS CENTRE GAUGE	FLUSHING CENTRE GAUGE	GAUGE ANGLE	ORDER NUMBER
102 mm = 4"		NORMAL BODY		
102A	8*11 10*12	3 1	35°	68CT102A
102D	5*14 8*14	4 -	35°	68CT102D

30



DIAM +TYPE	BUTTONS CENTRE GAUGE	FLUSHING CENTRE GAUGE	GAUGE ANGLE	ORDER NUMBER
115 mm = 4½"		NORMAL BODY		
115A	8*14 10*14	3 1	35°	68CT115A
115D	5*14 8*14	4 -	35°	68CT115D
127 mm = 5"		NORMAL BODY		
127A	8*14 10*14	3 1	35°	68CT127A
127D	6*14 10*14	5 -	35°	68CT127D

▲ = Location of flushing hole

All models also available with ballistic buttons.

### ROBIT® CASING SYSTEMS

for various ground stabilisation applications:

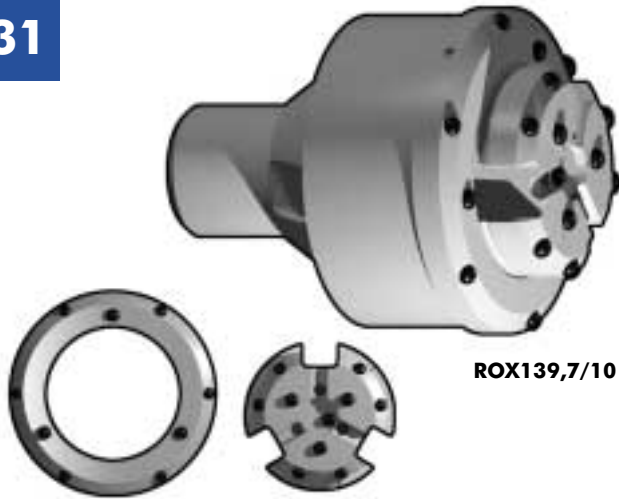
- Tube Umbrella
- Piling
- Water- and Thermal Well Drilling
- Anchoring and Horizontal Drilling





## ROBIT® CASING SYSTEMS TOP HAMMER DRILLING

31



▲ = Location of flushing hole

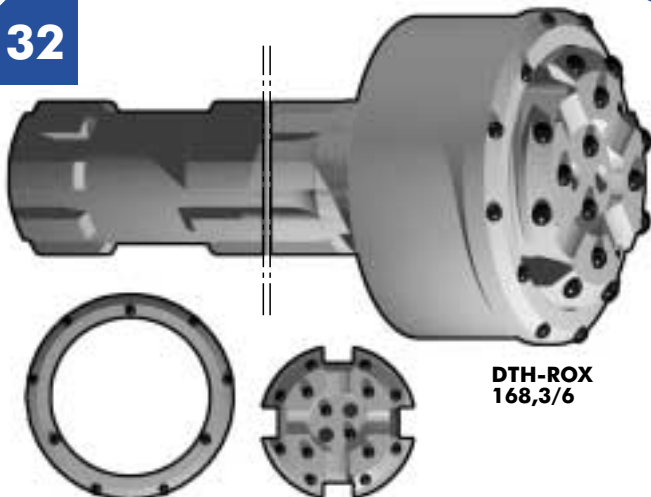
ORDER NUMBER	CASING OD (mm)	CASING WALL (max. mm)	RING BIT-ID (drill through mm)	RING BIT OD	PILOT BIT OD	THREAD
ROX 88,9/8	88,9	8	55	94,9	70	C38
ROX 114,3/10	114,3	10	74	120,3	92,5	C38
ROX 139,7/10	139,7	10	94	145,7	117,5	C45

All models also available with ballistic buttons.



## ROBIT® CASING SYSTEMS DOWN THE HOLE DRILLING

32



▲ = Location of flushing hole

ORDER NUMBER	CASING OD (mm)	CASING WALL (max. mm)	RING BIT-ID (drill through mm)	RING BIT OD	PILOT BIT OD
DTH-ROX 139,7/10	139,7	10	103	151	117,5
DTH-ROX 139,7/5,6	139,7	5,6	116	151	127,5
DTH-ROX 168,3/12,7	168,3	12,7	121	180	139
DTH-ROX 168,3/6	168,3	6	142	180	155

All models also available with ballistic buttons.



PRODUCT	WEIGHT	PAGE	PRODUCT	WEIGHT	PAGE	PRODUCT	WEIGHT	PAGE
<b><u>DRIFTING AND TUNNELLING</u></b>			<b><u>BENCH AND PRODUCTION DRILLING</u></b>			45C102 A	4,7	19
<b>R25 (1")</b>			<b>C38 (1 1/2")</b>			45C102 B	4,8	19
25R37 A	0,4	9	38C60 DR	2,2	15	45C102 D	4,6	19
25R38 A	0,6	9	38C64 A	1,7	15	45C102 AR	7,3	19
25R38 M	0,6	9	38C64 B	1,7	15	45C102 BR	7,5	19
25R41 A	0,7	9	38C64 DS	1,6	15	45C102 DR	7,2	19
<b>R28 (1 1/8")</b>			38C64 D	1,6	15	45C115 A	6,5	20
28R38 A	0,5	9	38C64 AR	2,3	15	45C115 D	6,4	20
28R38 M	0,5	9	38C64 BR	1,9	15	45C115 AR	10,8	20
28R41 A	0,6	9	38C64 DSR	2,3	15	45C115 DR	10,7	20
<b>R32 (1 1/4")</b>			38C64 DR	2,3	15	<b>C51 (2")</b>		
32R41 A	0,6	10	38C70 A	2,1	16	51C89 A	4,0	21
32R41 S	0,6	10	38C70 B	2,1	16	51C89 B	3,9	21
32R43 A	0,7	10	38C70 D	2,1	16	51C89 DS	3,9	21
32R43 S	0,7	10	38C70 DR	2,8	16	51C89 D	3,9	21
32R45 A	0,8	10	38C76 A	2,3	16	51C89 AR	4,9	21
32R45 S	0,7	10	38C76 B	2,2	16	51C89 BR	4,8	21
32R45 S2	0,7	10	38C76 C	2,4	16	51C89 DSR	4,6	21
32R45 SR	0,8	10	38C76 DS	2,2	16	51C89 DR	4,6	21
32R45 M	0,8	10	38C76 D	2,2	16	51C102 A	4,7	21
32R48 A	0,9	10	38C76 AR	3,6	16	51C102 B	5,0	21
32R48 S	0,9	10	38C76 DSR	3,7	16	51C102 D	4,8	21
32R48 SR	0,8	10	38C76 DR	3,7	16	51C102 AR	6,9	21
32R51 A	1,0	11	38C89 A	4,0	17	51C102 BR	7,1	21
32R51 B	1,0	11	38C89 B	3,7	17	51C102 DR	6,6	21
32R51 B2	1,0	11	38C89 D	3,7	17	51C115 A	6,5	22
32R51 S	1,0	11	38C89 AR	5,6	17	51C115 D	6,4	22
32R51 AR	1,2	11	38C89 DR	5,3	17	51C115 AR	9,7	22
32R51 SR	1,2	11	38C102 A	5,1	17	51C115 DR	9,6	22
32R51 DR	1,2	11	38C102 B	4,9	17	51C127 A	9,0	22
32R57 B	1,3	11	38C102 D	5,5	17	51C127 D	8,4	22
32R57 S	1,3	11	<b>C45 (1 3/4")</b>			51C127 AR	12,5	22
32R64 A	1,7	12	45C70 DR	3,1	18	51C127 DR	12,5	22
32R64 AR	2,3	12	45C76 A	2,7	18	<b>C58</b>		
32R64 B	1,7	12	45C76 B	2,7	18	58C102 A	4,7	23
32R76 B	2,5	12	45C76 C	2,8	18	58C102 B	5,0	23
<b>R35 (1 3/8")</b>			45C76 DS	2,6	18	58C102 D	4,8	23
35R48 S	0,8	12	45C76 D	2,6	18	58C115 A	6,5	23
35R51 S	0,9	12	45C76 DR	2,6	18	58C115 D	6,4	23
<b><u>REAMING EQUIPMENT</u></b>			45C76 AR	3,6	18	58C115 AR	9,7	23
PILOT ADAPTER	2,4	13	45C76 BR	3,7	18	58C115 DR	9,6	23
BIT 89 MM	1,8	13	45C76 DSR	3,7	18	58C127 A	9,0	23
BIT 102 MM	2,5	13	45C76 DR	3,8	18	58C127 D	8,4	23
BIT 127 MM	5,0	13	45C89 A	3,5	19	58C127 AR	12,5	23
			45C89 B	3,5	19	58C127 DR	12,5	23
			45C89 DS	3,4	19	<b>CT-58</b>		
			45C89 D	3,5	19	58CT89 A	4,0	24
			45C89 AR	5,3	19	58CT89 D	3,9	24
			45C89 BR	5,1	19	58CT102 A	4,0	24
			45C89 DSR	5,1	19	58CT102 D	3,9	24
			45C89 DR	5,1	19			



## INDEXING AND WEIGHT TABLES

PRODUCT	WEIGHT	PAGE	PRODUCT	WEIGHT	PAGE	PRODUCT	WEIGHT	PAGE
<b>CT-68</b>								
68CT102 A	5,5	25						
68CT102 D	6,2	25						
68CT115 A	7,5	25						
68CT115 D	7,4	25						
68CT127 A	10,8	25						
68CT127 D	10,7	25						
<b><u>ROBIT® CASING SYSTEMS</u></b>								
<b>TOP HAMMER</b>								
<b>PILOT BIT:</b>								
ROX 88,9/8	3,0	27						
ROX 114,3/10	5,2	27						
ROX 139,7/10	8,2	27						
<b>RING BIT:</b>								
ROX 88,9/8	3,0	27						
ROX 114,3/10	4,3	27						
ROX 139,7/10	4,9	27						
<b>DTH</b>								
<b>PILOT BIT:</b>								
DTH-ROX 139,7/10	10,7	27						
DTH-ROX 139,7/5,6	12,1	27						
DTH-ROX 168,3/12,7	17,7	27						
DTH-ROX 168,3/6	21,0	27						
<b>RING BIT:</b>								
DTH-ROX 139,7/10	5,1	27						
DTH-ROX 139,7/5,6	4,1	27						
DTH-ROX 168,3/12,7	7,2	27						
DTH-ROX 168,3/6	5,3	27						

### ROBIT PRINTED MATERIAL





# **Robit<sup>®</sup>**

## **ROCKTOOLS**

**ROBIT ROCKTOOLS LTD**

**Vikkiniityntie 9  
FIN-33880 LEMPÄÄLÄ  
(TAMPERE)  
FINLAND**

**Tel. +358 3 3140 3400**

**Fax +358 3 367 0540**

**E-mail: [robit@robit.fi](mailto:robit@robit.fi)**

**<http://www.robit.fi>**

**DISTRIBUTOR:**